



# Fusion Hybrid Tablet

Discover the ultimate in versatility with the Fusion Hybrid Tablet, an All-in-One (AIO) solution that seamlessly transitions between stationary and mobile modes. Its innovative base, featuring a secure electronic lock, allows for effortless conversion with a single button press. Built to withstand the toughest environments, the ruggedized tablet comes with a removable bumper for enhanced durability. Plus, with customizable peripherals like MSR, Honeywell Barcode Reader, and RFID, it can be tailored to meet your specific business needs. Perfect for a wide range of commercial settings, the Fusion Hybrid Tablet is the smart choice for those who demand flexibility and reliability. **Discover the Touch Dynamic Difference.**



## DESIGNED AS AN IDEAL SOLUTION FOR:



Restaurants



Cinema



Retail



Healthcare



AND MORE!

## KEY FEATURES & BENEFITS

### Mobility Made Easy

- ★ Intel® Elkhart Lake Celeron® J6412 CPU
- ★ 8 GB RAM Standard / 128 GB eMMC Storage
- ★ Adapts in a Snap - Converts easily from All-in-One to Tablet
- ★ 11.6" Widescreen LCD Display

### Custom Configuration

- ★ Integrated 2D Barcode Reader Option
- ★ Rear Camera Option
- ★ MSR, Fingerprint Reader, & RFID Options

CONTACT US



# Fusion Hybrid Tablet

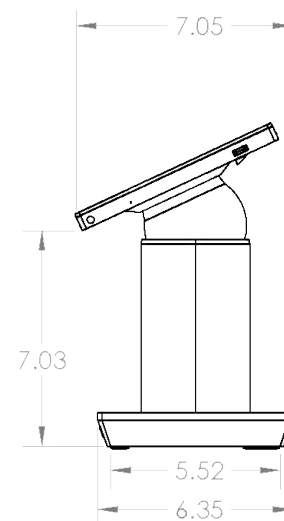
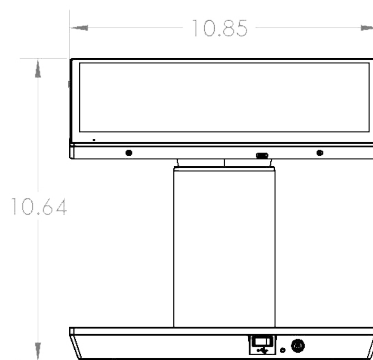
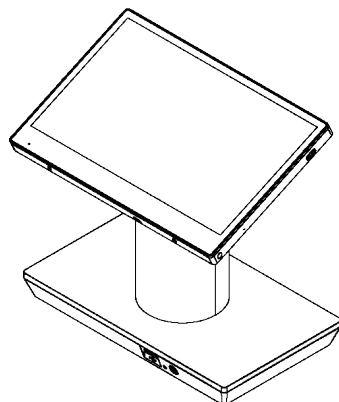


## Product Specifications

<b>CPU / Processor</b>	Intel® Elkhart Lake Celeron® J6412 up to 2.6 Ghz System
<b>Memory</b>	8GB LPDDR4 RAM
<b>Storage</b>	128GB eMMC SSD
<b>Supported OS</b>	Windows 10 IoT, Windows 11, Android 13, Linux <sup>1</sup>
<b>Graphics</b>	Intel® HD Graphics
<b>I/O Ports</b>	1 x USB-C 3.0 (on tablet) 1 x DC-in (on tablet) 3 x USB-A 2.0 1 x USB-C 2.0 1 x 12V Power USB 1 x 24V Power USB
<b>Audio</b>	1 x Integrated Speaker with Microphone
<b>Power</b>	3.8 V 7000mAh Battery 120 / 19V Power Adapter <sup>3</sup>
<b>Display</b>	11.6" Widescreen (1920 x 1080)
<b>Touchscreen</b>	True-Flat PCAP Multi-Touch
<b>Wireless Connectivity</b>	Intel Wireless 802.11 (a/b/g/ac/ax) 5.2, LAN 10/100 mbit
<b>Control</b>	G-Sensor
<b>Peripheral (options)</b>	MSR ID Tech VP3300 Reader Ingenico Moby5500 Reader HID Global RFID Reader Integrated 2D Barcode Reader, Honeywell 3601 2MP Reader Camera
<b>Certificate</b>	FCC Class B, CE Mark Class B, LVD, RF
<b>Environment</b>	0°C ~ 104°F (Discharged) Operating & Storage Temperature 32°F ~ 95°F (Charging) 20% ~ 80% RH non-condensing Operating & Storage Humidity
<b>Dims &amp; Weight</b>	10.85" W x 6.35" H x 7.03" L   Tablet: 1.85lbs   Stand: 3.95lbs

Product specifications and data are subject to change without notice.

## Fusion Hybrid Drawing



## Default Configurations

Product Code	Description
<b>FH1000M-BXXNNN</b>	Intel® Celeron® J6412, 8G Ram, 128GB eMMC, Win 10 IOT LTSC, Base
<b>FH1000LBXX-NNN</b>	Intel® Celeron® J6412, 8G Ram, 128GB eMMC, Win 11 IOT LTSC, Base
<b>FH10001BXX-NNN</b>	Intel® Celeron® J6412, 8G Ram, 128GB eMMC, Win 11 PRO, Base

<sup>1</sup>Inquire about availability

<sup>2</sup>Tablet Charging through Stand

