

# TOUCH DYNAMIC

## Breeze Ultra WS

### All-in-One

Introducing the Breeze Ultra Widescreen, an all-in-one solution designed to streamline your business operations. Its modular design features a removable motherboard for quick servicing, minimizing downtime. With multiple I/O ports, the Breeze Ultra WS easily connects to accessories like barcode scanners, printers, payment devices, cash drawers, and customer-facing displays. Built for flexibility, it adapts to unique business needs as they evolve. Experience peak modularity, connectivity, and efficiency with the Breeze Ultra WS. **Discover the Touch Dynamic Difference.**



### KEY FEATURES & BENEFITS

#### Reliable Performance

- ★ Intel® Alder Lake Options up to i7
- ★ Up to 64GB of High-Speed DDR4 Memory
- ★ 15.6" Full HD Widescreen
- ★ Removable Motherboard for Easy Servicing
- ★ Multiple I/O Ports for Multifunctional Connections

#### Custom Configuration

- ★ Optional 11.6" or 15.6" Rear Display
- ★ Vast Peripheral Options

### DESIGNED AS AN IDEAL SOLUTION FOR:



Restaurants



Casino



Retail



Healthcare



AND MORE!



# Breeze Ultra WS

## All-in-One



### Product Specifications

<b>CPU / Processor</b>	Intel® Alder Lake i3-12100TE Intel® Alder Lake i5-12500TE Intel® Alder Lake i7-12700TE
<b>Memory</b>	2 x DDR4 RAM slots up to 32GB each (64 GB total)
<b>Storage</b>	2 x M.2 NVMe slots, RAID 0/1 supported
<b>Supported OS</b>	Windows 10 IoT Enterprise, Windows 11 IoT Enterprise, Windows 11 Pro, Linux
<b>I/O Ports</b>	4 x USB 3.0 2 x USB 2.0 1 x USB-C (full function, alternate video mode) 1 x custom miniDP (convertible to HDMI or VGA) 1 x DisplayPort 2 x DB9 Serial (powered RS232) 2 x RJ45 Gigabit LAN 1 x R-J11 Cash Drawer Port 1 x 4-PIN locking power connector DC jack 1 x Line-Out 1 x Mic-In 1 x 12V powered USB, 1 x 24V powered USB
<b>Display</b>	15.6" Widescreen True-Flat (1920 x 1080)
<b>Power</b>	180W / 19V
<b>Peripheral (options)</b>	3-Track MSR (USB) HID global fingerprint reader (USB) LCM 2x20 customer display (USB) 11.6" and 15.6" 2nd display with touch 2D Honeywell barcode scanner Camera Supports most common PIN pads available from Ingenico, PAX, Verifone, IDTECH and others
<b>Dimensions</b>	14.49" W x 11.48" H x 8.8" D

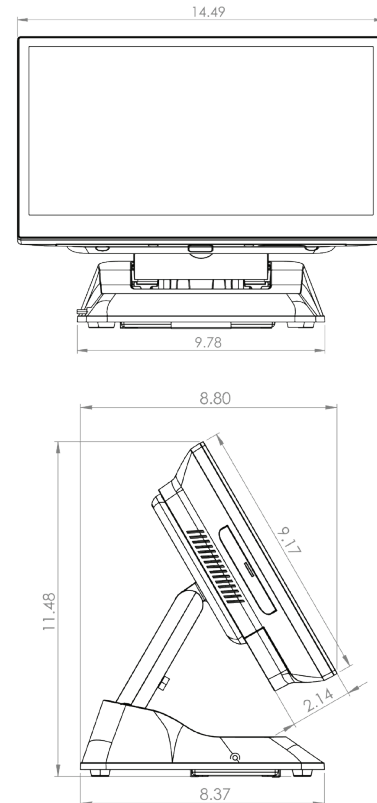
Product specifications and data are subject to change without notice.

### Default Configurations

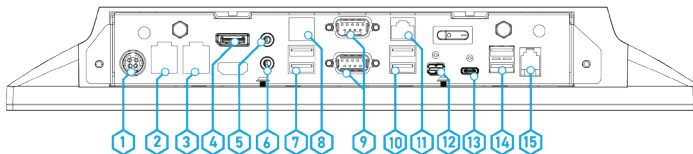
Product Code	Description
<b>BB5380N0NNNN-LNNB</b>	Intel i3 Alder Lake CPU, 8GB RAM, 128GB NVME SSD, WIN 11 IOT*, Ultra Base I (Foldable)
<b>BB5380N0NNNN-1NNB</b>	Intel i3 Alder Lake CPU, 8GB RAM, 128GB NVME SSD, WIN 11 PRO, Ultra Base I (Foldable)
<b>BB5580N0NNNN-1NNB</b>	Intel i5 Alder Lake CPU, 8GB RAM, 128GB NVME SSD, WIN 11 IOT*, Ultra Base I (Foldable)
<b>BB5580N0NNNN-1NNB</b>	Intel i5 Alder Lake CPU, 8GB RAM, 128GB NVME SSD, WIN 11 PRO, Ultra Base I (Foldable)
<b>BB5780N0NNNN-LNNB</b>	Intel i7 Alder Lake CPU, 8GB RAM, 128GB NVME SSD, WIN 11 IOT*, Ultra Base I (Foldable)
<b>BB5780N0NNNN-1NNB</b>	Intel i7 Alder Lake CPU, 8GB RAM, 128GB NVME SSD, WIN 11 PRO, Ultra Base I (Foldable)

\*WIN 10 IOT also available

### Breeze Ultra WS Drawing



### I/O Interfaces



- |                           |                           |
|---------------------------|---------------------------|
| 1 DC-IN LOCKING CONNECTOR | 9 DB9 SERIAL (2 PORTS)    |
| 2 12V POWERED USB         | 10 USB 3.0 (2 PORTS)      |
| 3 24V POWERED USB         | 11 RJ-45 NETWORK PORT #2  |
| 4 DISPLAYPORT             | 12 CUSTOM MINIDP          |
| 5 LINE-OUT                | 13 USB-C                  |
| 6 MIC-IN                  | 14 USB 2.0 (2 PORTS)      |
| 7 USB 3.0 (2 PORTS)       | 15 RJ-11 CASH DRAWER PORT |
| 8 RJ-45 NETWORK PORT #1   |                           |

CONTACT US

